



TA35 / TA36 with Magnetic Release

Thermal-Magnetic Circuit Breaker for Equipment (CBE)

TA35 / TA36 - Industry Trends



All electrical appliances require a circuit protection. Instead of using a switch and a fuse in combination, a circuit breaker according to IEC 60934 can do the job as well. However, in the case of a short circuit, a thermal circuit breaker might not be quick enough. So, besides a standard circuit breaker an additional fuse is still required.

Circuit breakers with a magnetic release:

- Safe circuit protection in any situation
- No additional fuse required
- Time lag or fast acting characteristic available

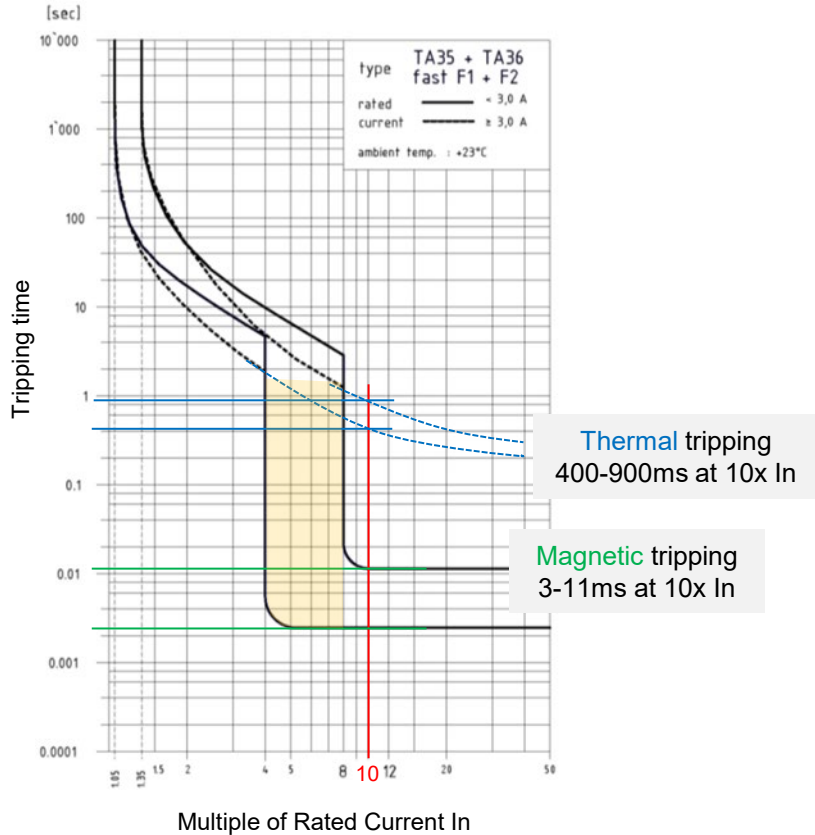
TA35 / TA36 – CBE with Magnetic Release



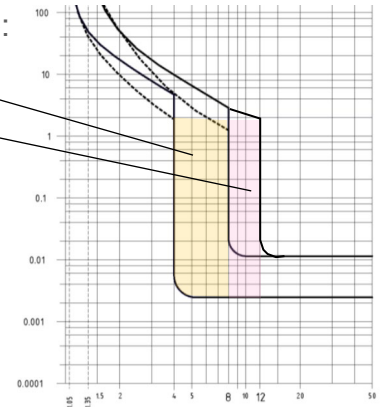
- > Thermal-magnetic circuit breaker for equipment according to IEC 60934
- > Rocker actuation with 2 pole protection (both poles are double protected, thermal and magnetic)
- > Fast or time lag characteristic
- > Finely graded rated currents
- > Many different design options (e.g. rocker colour)
 - > TA35 with classic design
 - > TA36 with modern design



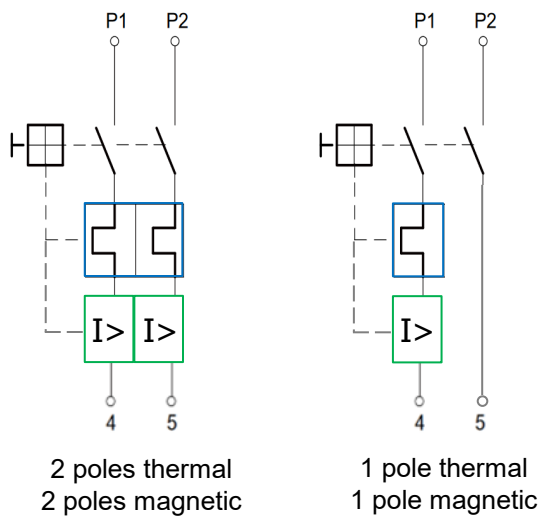
TA35 / TA36 – Tripping Characteristic



- > The magnetic release enables a fast tripping at very high over current (short circuit situation)
- > Thermal tripping
- > Magnetic tripping
- > Time lag and fast acting characteristic available
- > Operating range magnetic release:
 - > Fast acting 4-8x I_n
 - > Time lag 8-12x I_n

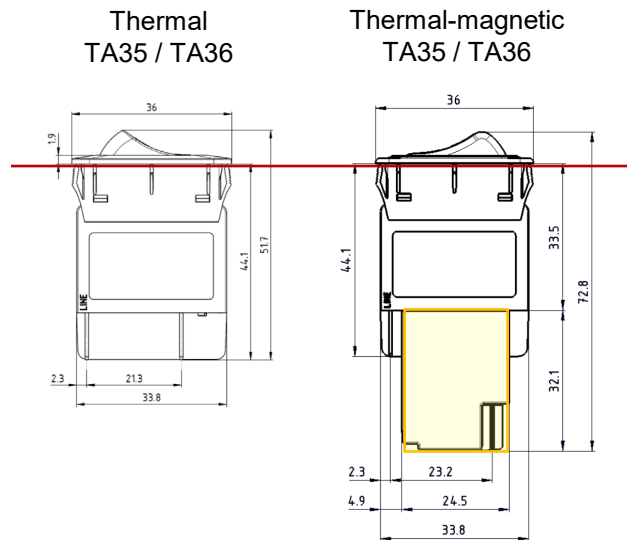


TA35 / TA36 – Schematics and Dimensions



Thermal release
by bimetal

Magnetic release by
magnetic module



- > **Only CBE in the market with 2 pole magnetic protection**
- > Besides the bimetal, an additional magnetic module triggers the circuit breaker in the event of a short circuit

- > Panel cut-out remains
- > Total length increases due to magnetic module

TA35 / TA36 - Magnetic Release

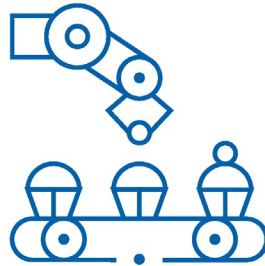


- > Rated voltage 240VAC (IEC), 277VAC (UL)
60VDC (IEC / UL)
 - > Rated current 0.05A to 16A (IEC)
 - > Short circuit capacity 2kA at 240VAC
 - > Protection 2 pole protection (thermal & magnetic)
 - > Magnetic Release fast or time-lag characteristic
 - > Operating temperature -30 to 60°C
 - > Degree of protection IP40 (front side), IP67 available
 - > Mounting panel (from front), snap-in
-
- > [Data sheet](#) TA35 Rocker 2-pole
 - > [Data sheet](#) TA36 Rocker

TA35 / TA36 with Magnetic Release – Applications



Industrial



Professional food
processing equipment



Test and measurement
equipment

TA35 / TA36 – Cross Reference

Manufacturer	SCHURTER AG	E-T-A
Website	www.schurter.com	https://www.e-t-a.de/home/
Portfolio Types	TA35 / TA36	3120-N...-M1...
		
Standards	IEC 60934 / UL1077 CSA C22.2 No. 235 / GB 17701	IEC 60934 / UL1077 CSA C22.2 No. 235 / GB 17701
Voltage rating	240VAC (IEC), 277VAC (UL) 60VDC (IEC / UL)	240VAC (IEC), 250VAC (UL) 50VDC (IEC)
Current rating	0.05 - 16A (IEC)	0.1 - 16A (IEC)
Thermal protection	1 or 2 pole	1 or 2 pole
Magnetic protection	1 or 2 pole	only 1 pole
Short circuit protection	2kA at 240VAC	2kA at 250VAC
Dielectric strength	2.5kV	3kV
Operating temperature	-30°C to 60°C	-30°C to 60°C
Panel cut-out	26 x 34mm	22 x 45mm
Approvals		

TA35 / TA36 with Magnetic Release

new

- > 240VAC (IEC), 277VAC (UL), 60VDC
- > 0.05 to 16A (IEC)
- > Magnetic module with time lag or fast acting characteristic



SCHURTER Circuit Breakers for Equipment

The right circuit breaker for your application



TA45

- > Thermal CBE
- > 240VAC / 60VDC
- > 0.05 to 20A
- > 2 and 3 pole protection
- > Dielectric strength 4kV
- > IP40 front side (IP65 optional)
- > Optional undervoltage protection



TM12

- > Thermal-magnetic CBE
- > 240VAC / 28VDC
- > 0.05 to 15A
- > 1 pole protection
- > Dielectric strength 1.5kV
- > IP40 front side (IP54 optional)
- > Flange and threaded neck types



T9

- > Thermal CBE
- > 240VAC (IEC) / 48/32VDC
- > 3 to 16A
- > 1 pole protection
- > Dielectric strength 1.5kV
- > IP40 front side
- > Snap-in, threaded and PCB types

TA35 / TA36 - Further Information

Additional Information

- > Data Sheet: [TA35](#) / [TA36](#)
- > Click on our Digital Asset Management server [DAM](#) to download:
 - > Latest press releases
 - > Training presentations

Technical Assistance

- > For general product questions, contact your Inside Sales Representative.